

ICE MAKER ANGLE STOP MULTI TURN



TECHNICAL DATA

DESCRIPTION:
1/2" PEX (F1807) X 1/4" Ice Maker Angle Stop Multi Turn

CONSTRUCTION:
Brass Body and Nut, Plastic Stem, Plastic Handle, Rubber Washer

FINISH:
Chrome Plated finish

CODE APPROVALS:
UPC approved. Complies w/ NSF-61

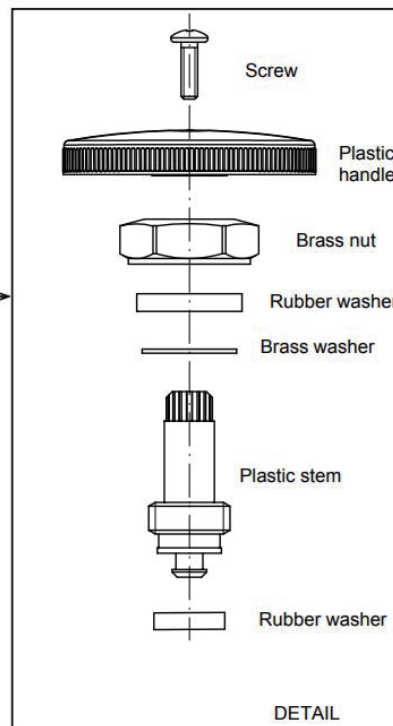
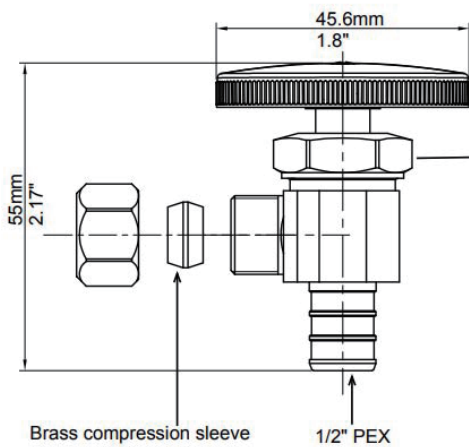
PACKAGING:
Color Box w/ Barcode
Inner carton: 20
Master carton: 80

PART#	DESCRIPTION	FINISH
AS-PEX-IM-MT	1/2" PEX (F1807) X 1/4" Ice Maker Angle Stop Multi Turn	Chrome



Country of origin: China

ROUGH IN DRAWING



ALL DIMENSIONS SHOWN ARE NOMINAL

Meets requirements for NSF-61